

Installation Instruction

SL/R129 one touch module

Before installation:

Please read this instruction carefully and take yourself some time for proper installation of the module. Please note, that you can damage your car and/or the module if it is not correct installed. The installation of the module may be against of traffic laws in your country. Also the warranty of the manufacturer of the car or third could be lost through the installation of this module.

How the module works:

If the module is installed, the roof of your car can be opened/closed by a short tip on the top switch. Press the switch for about 1s and the top starts to move until it is open/closed. While opening/closing the movement of the top can be interrupted by another press on the the top switch in any direction.

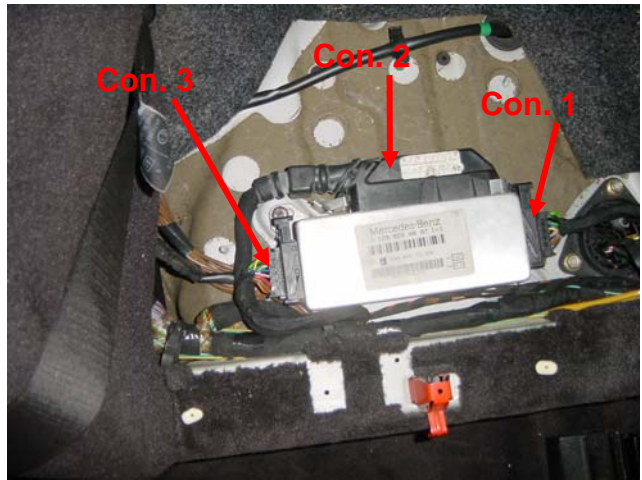
Installation:

1. disconnect battery ground wire (trunk, right side)
2. remove the back seat/cover (picture 1)
3. you will now see the roof ECU: old version has 3 connectors, the new one 2 connectors
4. you have to cut 2 wires:
old roof ECU (3 connectors): blue/black (Pin1 Connector 2) and blue/white (Pin2 Connector 2)
new roof ECU (2 connectors): yellow/red (Pin22 Connector 2) and yellow/green (Pin39 Connector 2)
Note: take care to cut the right wire, the color of the wire may occur more than once (see wiring diagram picture 4 and 5)
5. connect the module according to the wiring diagram
Note: Do not use a wired soldering iron, as their points are earth grounded. By making a connection between the cars electrics and earth, damage can be caused to the vehicles electrics and the module by balancing currents. No liability can be taken for damage caused in this way.
6. stow the module away and fix it with some tape or cable fastener. Re-assemble everything in the reverse order that they were removed. Reconnect the earth cable on the battery.

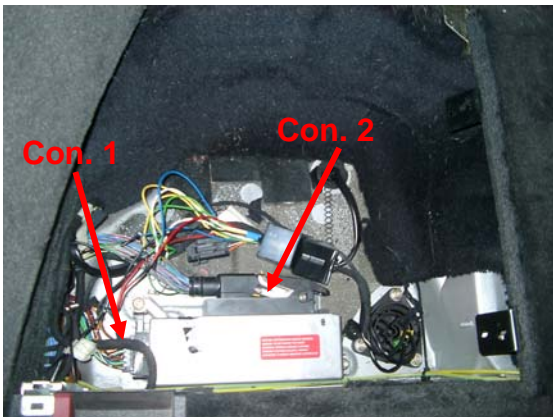
Pictures of installation:



Picture 1: remove cover



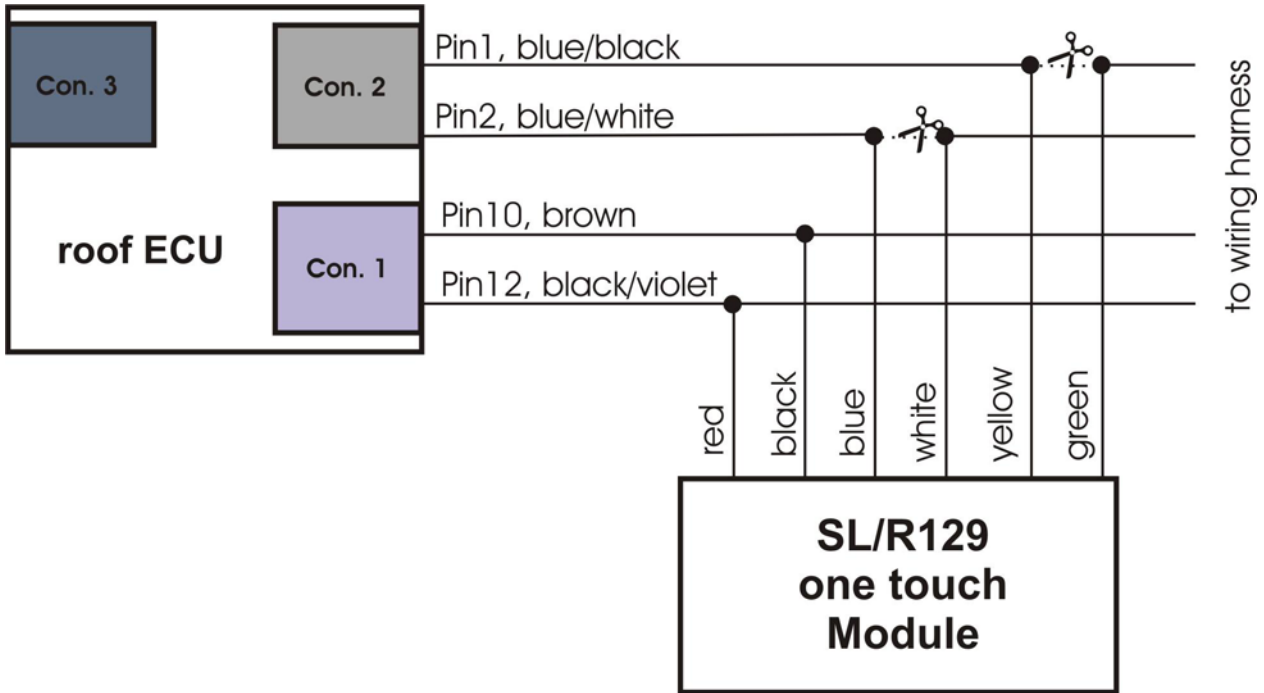
Picture 2: roof ECU old (3 connectors)



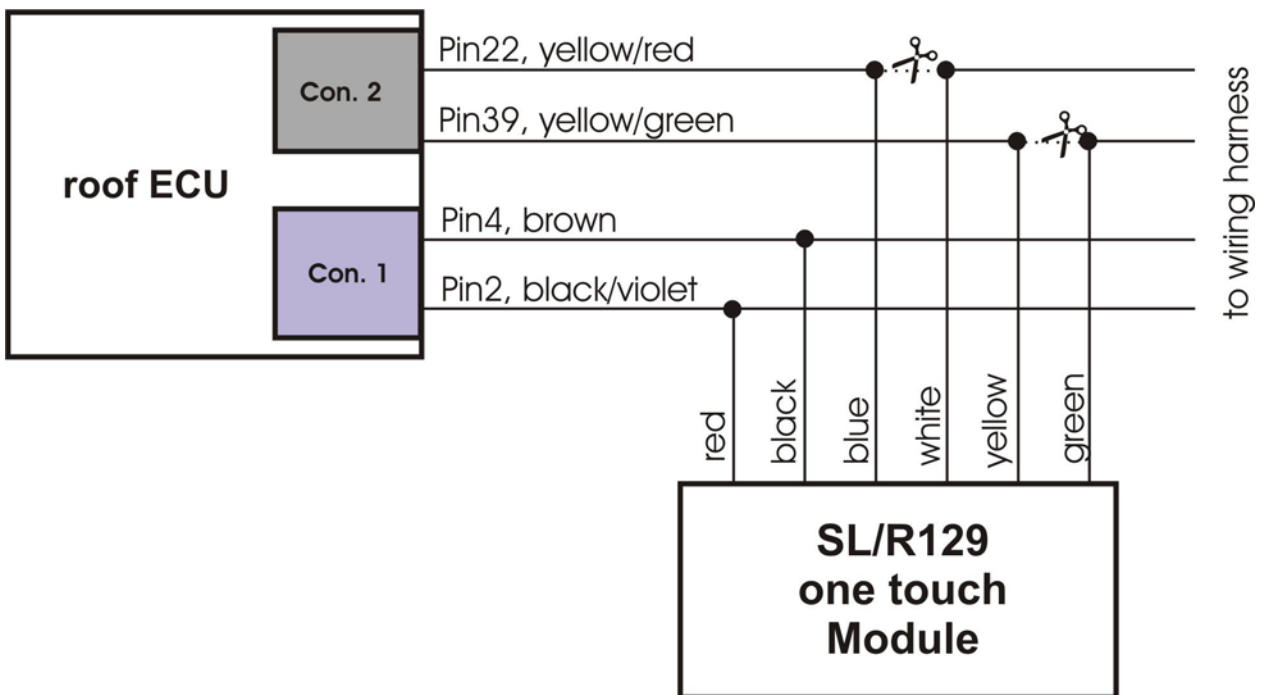
Picture 3: roof ECU new (2 connectors)

Note: after installation the roof ECU has to be initialized first: the roof must be opened and closed one time completely. If this will not happen automatically, please help manually. After initializing the roof should open/close without interruptions.

Wiring of the module:



Picture 4: wiring to the old roof ECU (3 connectors)



Picture 5: wiring to the new roof ECU (2 connectors)

Technical data of the module:

- supply voltage: 7-17V
- power input: 5mA when ignition is on
- size: 40 x 40 x 20 mm³
- weight: 50g