

Installation instruction

SLK R170 one touch module

Before installation:

Please read this instruction carefully and take yourself some time for proper installation of the module. Please note, that you can damage your car and/or the module if it is not correct installed.

How the module works:

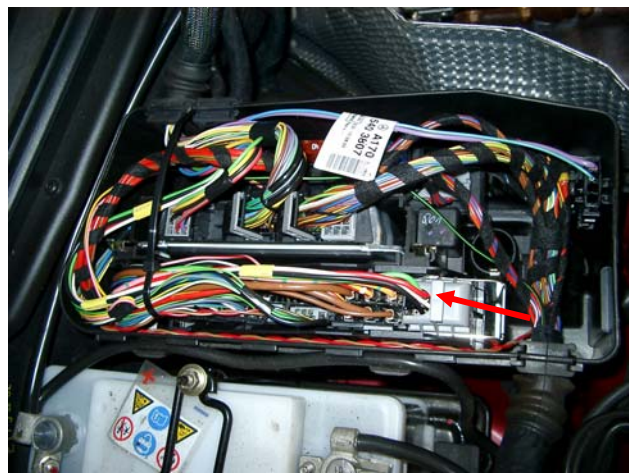
If the module is installed, the roof of your SLK can be opened/closed by a short tip on the top switch. Press the switch for about 1s and the top starts to move until it is open/closed. While opening/closing the movement of the top can be interrupted by another press on the the top switch.

Installation:

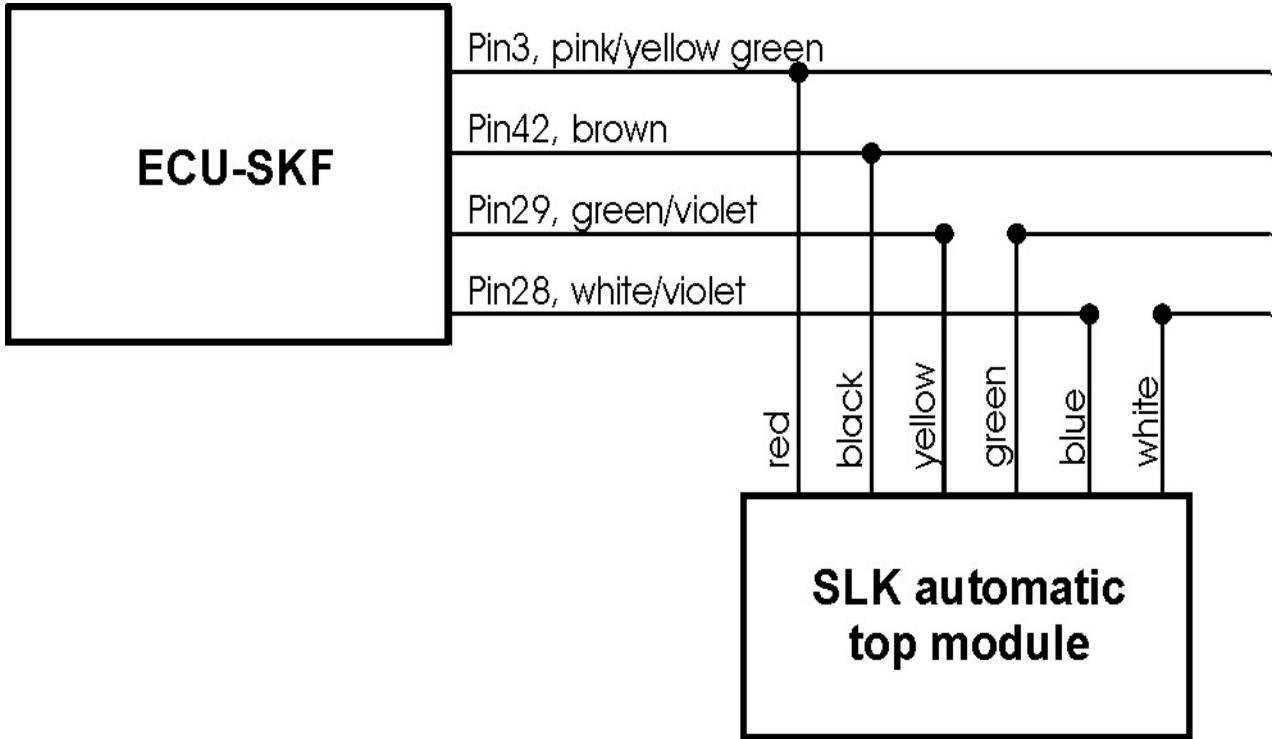
1. disconnect battery ground connection
2. Open the ECU-Box (see picture 1 and picture 2), the red arrow in picture 2 shows the ECU affected (ECU-SKF).
3. you have to cut the white/violet (Pin28 ECU-SKF) and the green/violet (Pin29 ECU-SKF) cable. Be sure to cut the right cable, the cable-colours may fit to more than one cable (see picture 4).
4. you have to connect the cables from the module with the car as shown on picture 3.
5. the module should be fixed with some tape or glue
6. connect battery



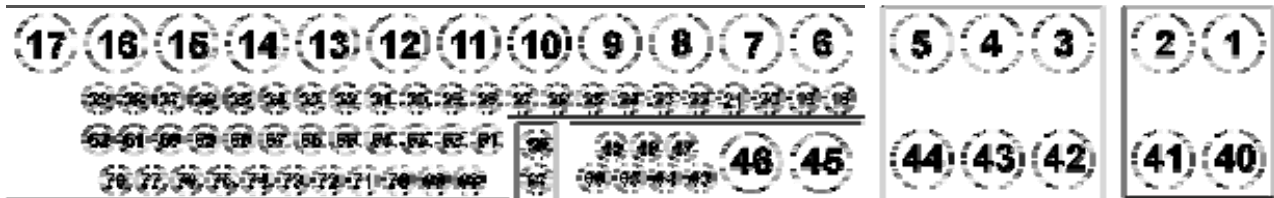
Pic. 1: ECU-Box



Pic. 2: ECU-Box opened, red arrow: SKF-ECU



Pic. 3: Connection SKF-ECU / Module



Pic. 4: Pin-Layout Connector SKF-ECU