

Installation instruction SLK R170 50Km/h Module

Before installation:

Please read this instruction carefully and take yourself some time for proper installation of the module. Please note, that you can damage your car and/or the module if it is not correct installed.

Danger: The installation and use of the module is on your own risk. Do not open/close the roof on bad roads. You can damage the roof by opening/closing while driving. You might loose the warranty of your car. The installation and use of this module is on your own risk.

How the module works:

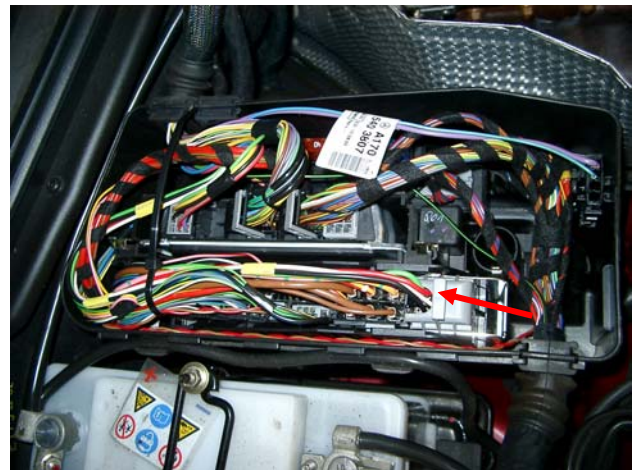
If the module is installed, the roof of your car can be opened/closed up to a speed of 50Km/h. The module affects the automatic lock and the speed-controlled wiper. The behaviour of the wiper up to 50Km/h is the same as if the car is standing. The automatic door lock is operating above 50Km/h.

Installation:

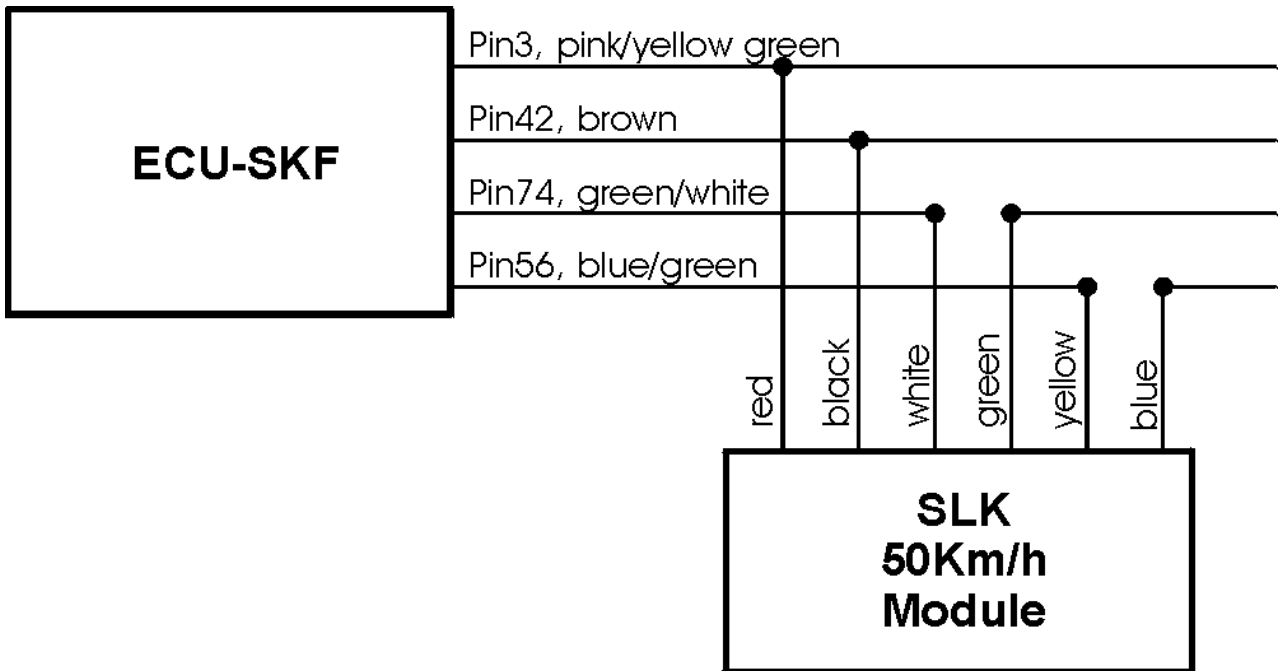
1. disconnect battery (ground connection)
2. Open the ECU-Box (see picture 1 and picture 2), the red arrow in picture 2 shows the ECU affected (ECU-SKF).
3. you have to cut the green/white (Pin74 ECU-SKF) and the blue/green (Pin56 ECU-SKF) cable. Be sure to cut the right cable, the cable-colours may fit to more than one cable (see picture 4).
4. you have to connect the cables from the module with the car as shown on picture 3.
5. the module should be fixed with some tape or glue
6. connect battery



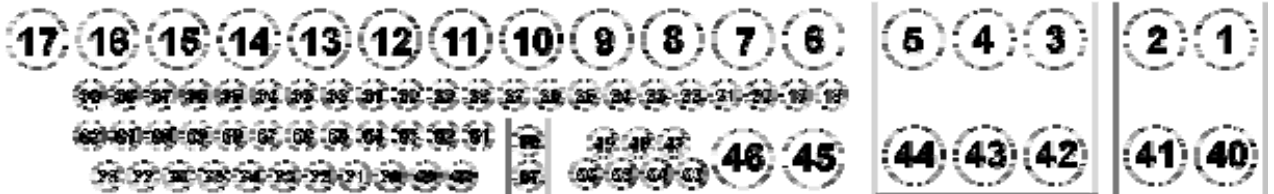
Pic. 1: location ECU-Box



Pic. 2: ECU-Box opened, red arrow: SKF-ECU



Picture 3: Connection SKF-ECU / Module



Picture 4: Pin-Layout Connector SKF-ECU