

Installation instruction BMW E36 Convertible remote roof module

Before the Installation:

Please read this guide carefully and take your time with the installation. Incorrect installation of this module can cause damage to the electronics of your car. No responsibility can be taken for neglect of these fitting instructions. This installation should only be carried out by trained personnel.



Note: The fitting of the Remote Roof Module can lead to the expiration of your warranty of your car. The installation and use of this module is carried out at your own risk. Do not open or close the roof if people might be nearby the car. People could be injured through the use of this module.

Note: Do not use a wired soldering iron, as their points are earth grounded. By making a connection between the cars electronics and earth, damage can be caused to the vehicles electronics and the module by balancing currents. No liability can be taken for damage caused in this way. Preferred soldering irons would be either battery or gas powered, or electric without a ground lead.

Functions of the Remote Roof Module:

The installation of this module means that you can open and close the roof with your BMW remote key. The roof will open if you press the open-button of the remote key three times within 5 seconds. To close the roof operates in the same way: press the close-button of the remote key three times within 5 seconds. In case necessary, the opening of the roof can be stopped by pressing the close-button of the remote key. You also can stop the closing by pressing the open-button of the key.

Installation of the module:

The installation is done in two steps: First, the module is connected (behind the glove box), then the relays will be installed in the fuse-box.

1. Installation of the module:

1. Disconnect the ground lead from the car battery
2. loosen the 4 screws shown in picture 1
3. loosen the 2 screws shown in picture 2
4. remove the light inside the glove box. Loosen the screw behind it (picture 3)
5. pull out the glove box (picture 4)
6. connect the module to the car, see also wiring diagram on page 5:
 - connect the black wire of the module to ground (picture 5)
 - you have to cut 1,2 or 3 violet/white wires in the wiring harness as shown in picture 5
 - connect the red wire of the module to the red/green wire on connector A. Connect the orange wire of the module to the blue/red/yellow wire on connector B (picture 6)
7. pull out the switch unit of the center console and remove the roof switch (picture 7)
8. connect the long pink wire of the module to the black/green wire of the roof switch. Connect the long yellow wire of the module to the black/brown wire of the roof switch
9. the blue wire of the module will be connected to the relais later

2. Installation of the relais in the fusebox:

1. o the fuse box (picture 8)
2. cut the violet/white wire to fuse 43 (fuse is yellow, see picture 8)
Note: one side of the fuse has a single violet/white wire – you have to cut this. The other side of the fuse has more violet/white wires
3. connect the violet/white wire to the fuse with the blue wire of the relais (picture 9)
4. the other end of the violet/white wire (to the wiring harness) is connected to the white wire of the relais (picture 9)
5. connect the red wire of the relais to any red wire in the fuse box (all red wires are +12V) (picture 9)
6. test of the installation: reconnect the battery, turn ignition off and put the long green wire of the relais to ground: the relais should switch now and you should measure +12V on the white wire of the relais. The roof can be opened/closed by roof switch inside the car (ignition is still off...), as long as the green wire of the relais is connected to ground.
7. connect the long green wire of the relais with the blue wire of the module (picture 10)

Pictures of the installation:



Picture 1: loosen 4 screws



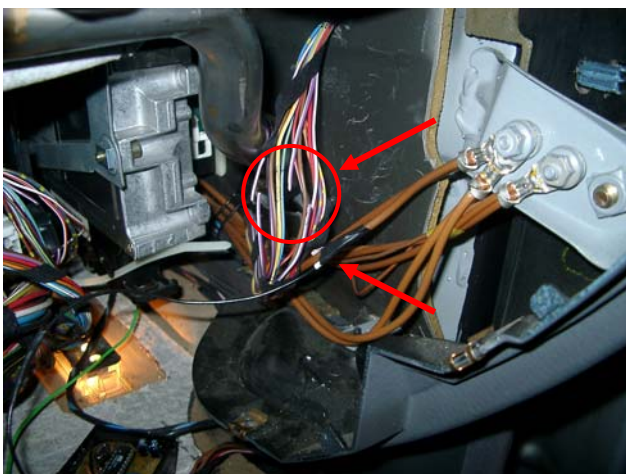
Picture 2: loosen 2 screws



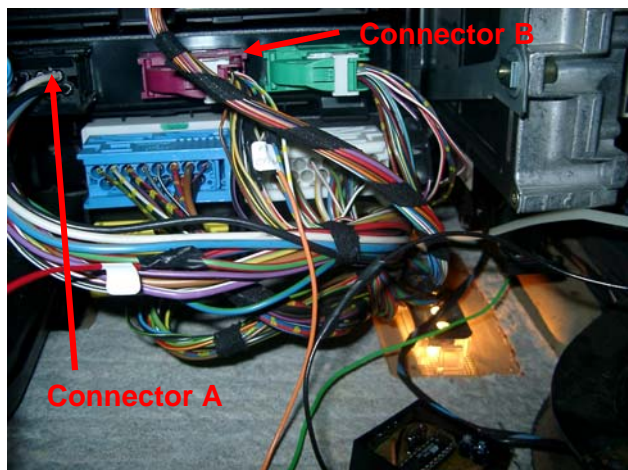
Picture 3: loosen screw behind light



Picture 4: glove box removed



Picture 5: ground connection, cut violet/white wires



Picture 6: shows Connector A and B of body ECU



Picture 7: roof switch / center console



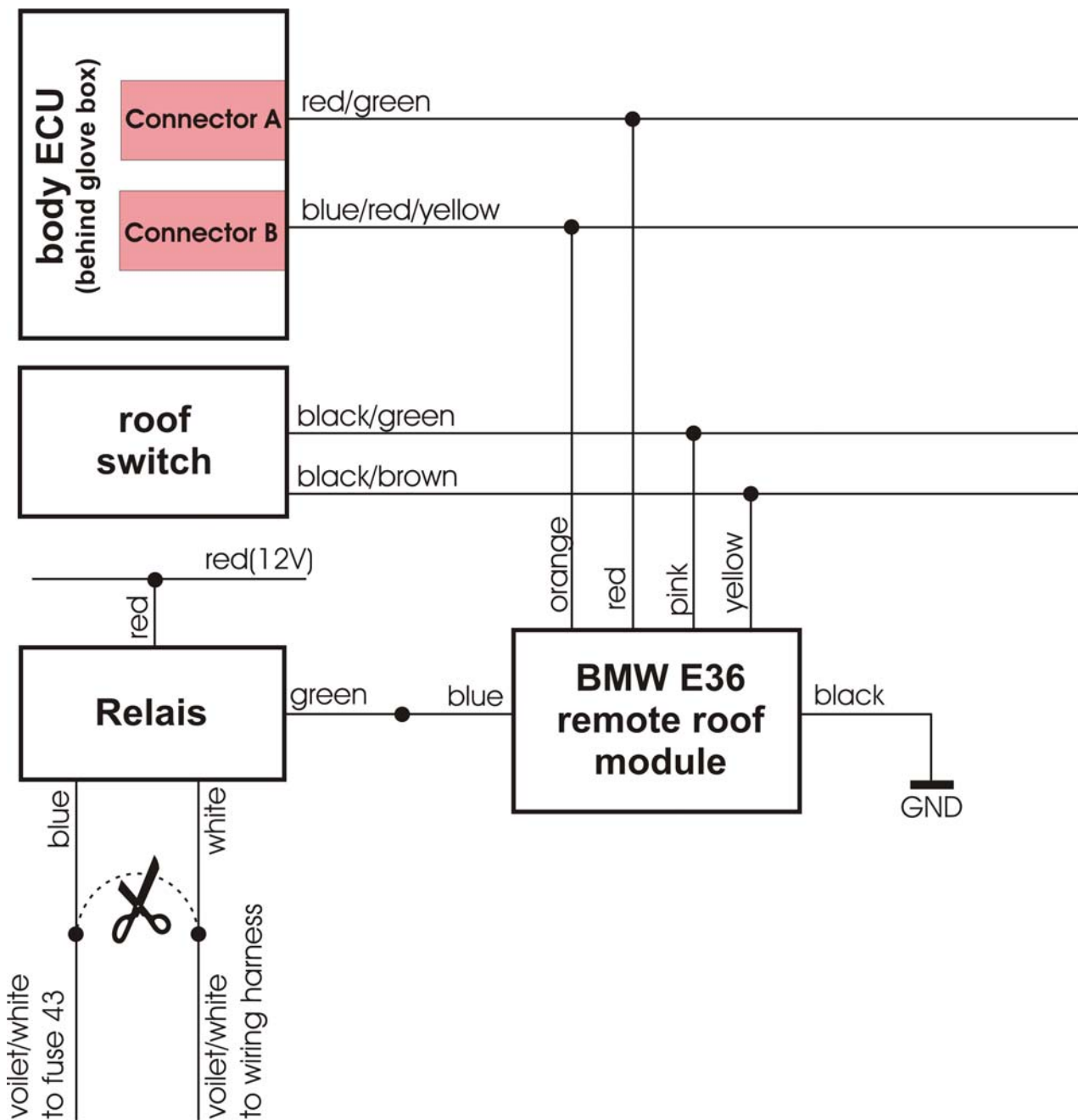
Picture 8: fuse box, fuse 43 (yellow)



Picture 9: Connection of relays



Picture 10: green wire of the relays



wiring diagram: roof remote module and relais

Note: you have to cut the violet/white wire inside the fusebox

Wire naming: violet/white -> violet wire with white stripe

Technical data of the module:

- operating voltage: 7-17V
- current consumption: 6 mA (standby)
- size: 40 x 40 x 20 mm³
- weight: approx. 50g (without relais)